

PARADE DES LUMIERES MP13

PLANS LUMIERE ET PATCH MACHINES

- Plan des engins pages 1 > 10
- Feuille de Patch page 11

3 UNIVERS DMX

A B C

UNIVERS A

10 BUS CAGE

08 VAN

07 MIRROIR

UNIVERS C

09 SCOOTER

06 TRICYCLE

04 BALANCOIRE

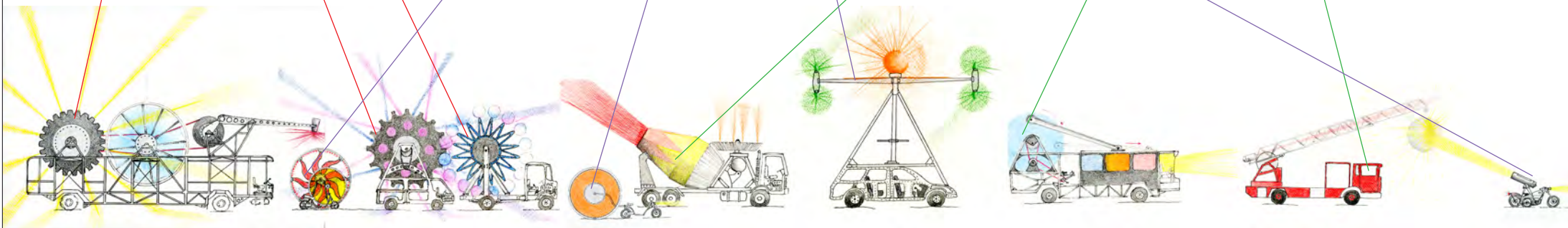
01 SIDE CAR

UNIVERS B

05 TOUPIE

03 BUS 4T

02 POMPIER



SIDECAR

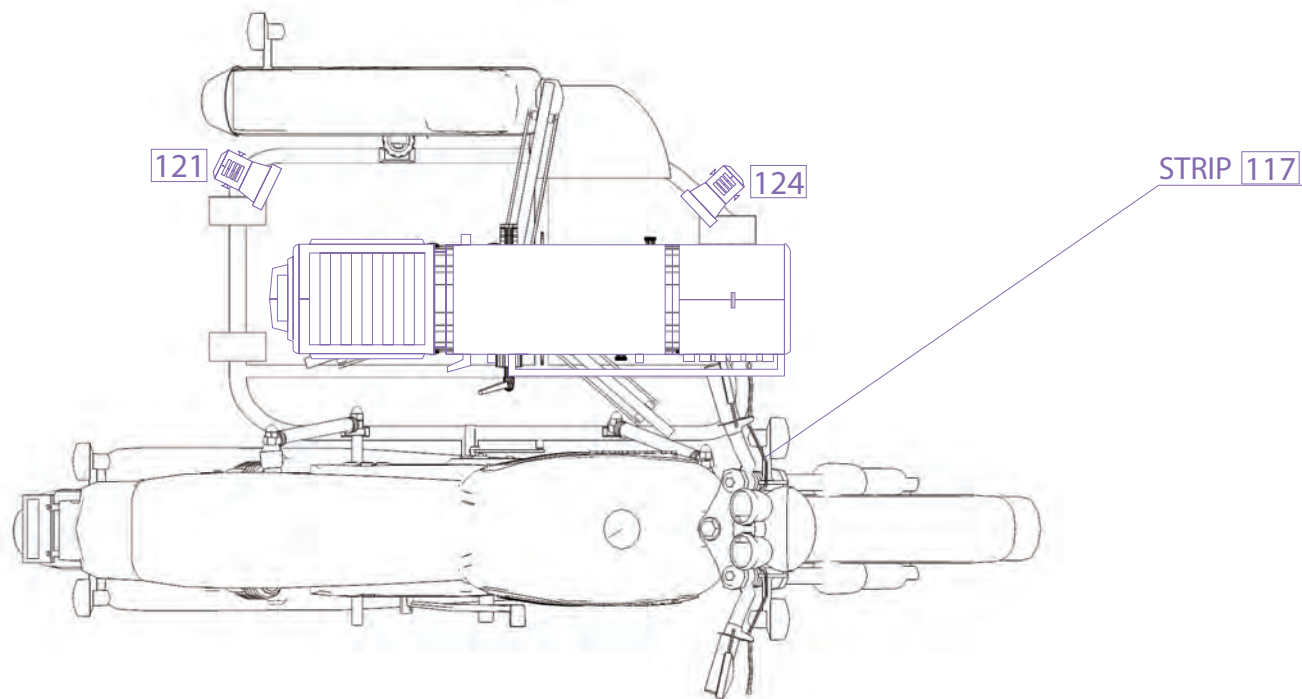
UNIVERS C - ENGIN 01



- 1 X POURSUITE 1,2Kw HMI KORRIGAN



- 2 X PAR LED RGB

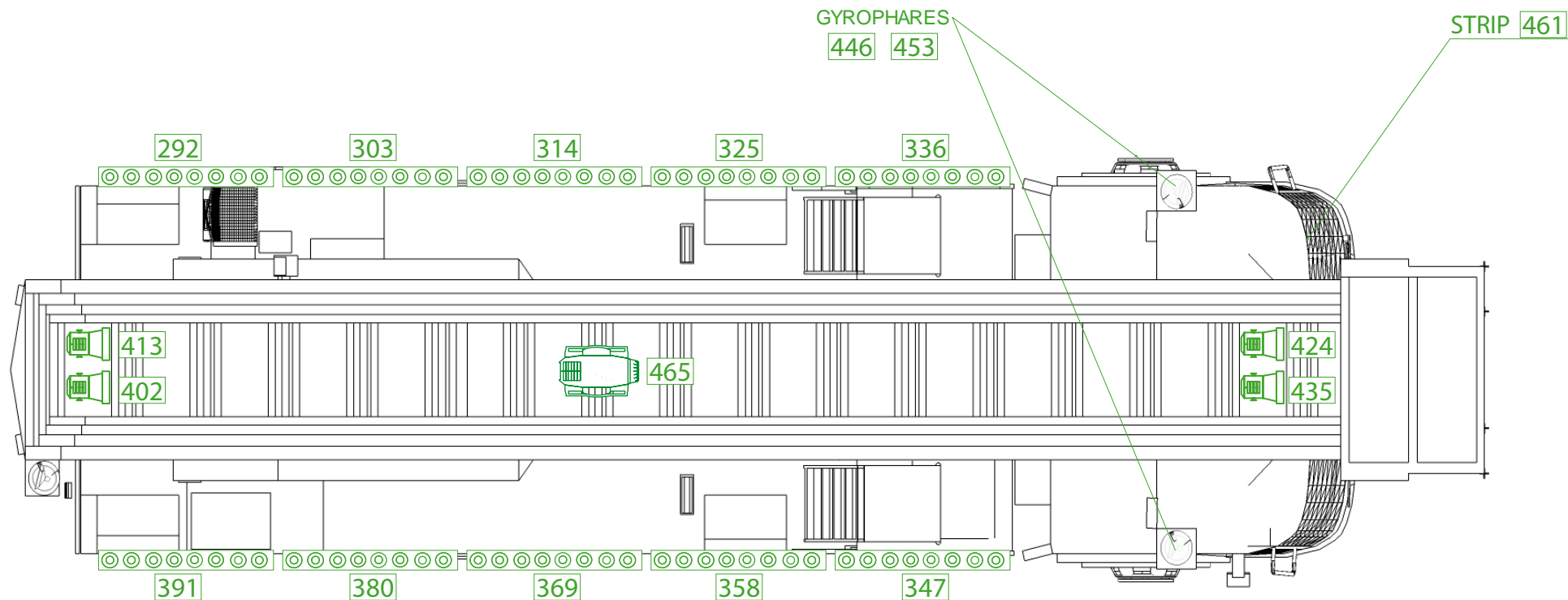


ENGIN	PROJECTEUR	QUANTITE	UNIVERS	BREAK	AFFECTATION	HF HO7	HF DUSHOW	CONTROLEUR RGB	BAT 8Ah	ALIM 12V	BAT 130Ah
SIDE	STRIP LED	1	C	4	117						
	PAR LED RGB	2	C	3	121+124	1		1			

POMPIER

UNIVERS B - ENGIN 02

 - 4 X TOUR KOLOR
  - 1 X ALPHA BEAM
 - 10 X BARRE LED ARCALINE



ENGIN	PROJECTEUR	QUANTITE	UNIVERS	BREAK	AFFECTATION	HF HO7	HF DUSHOW	CONTROLEUR RGB	BAT 8Ah	ALIM 12V	BAT 130Ah
POMPIER	BARRE LED	10	B	11	292+303+314+325+336+347+358+369+380+391		1				
	TOUR KOLOR	4	B	11	402+413+424+435						
	FOG	1	B	2	459						
	GYROPHARE	12	B	6	446+453						
	STRIP LED	1	B	4	461			1		1	
	ALPHA BEAM	1	B	24	465						

BUS 4TEMPS

UNIVERS B - ENGIN 03



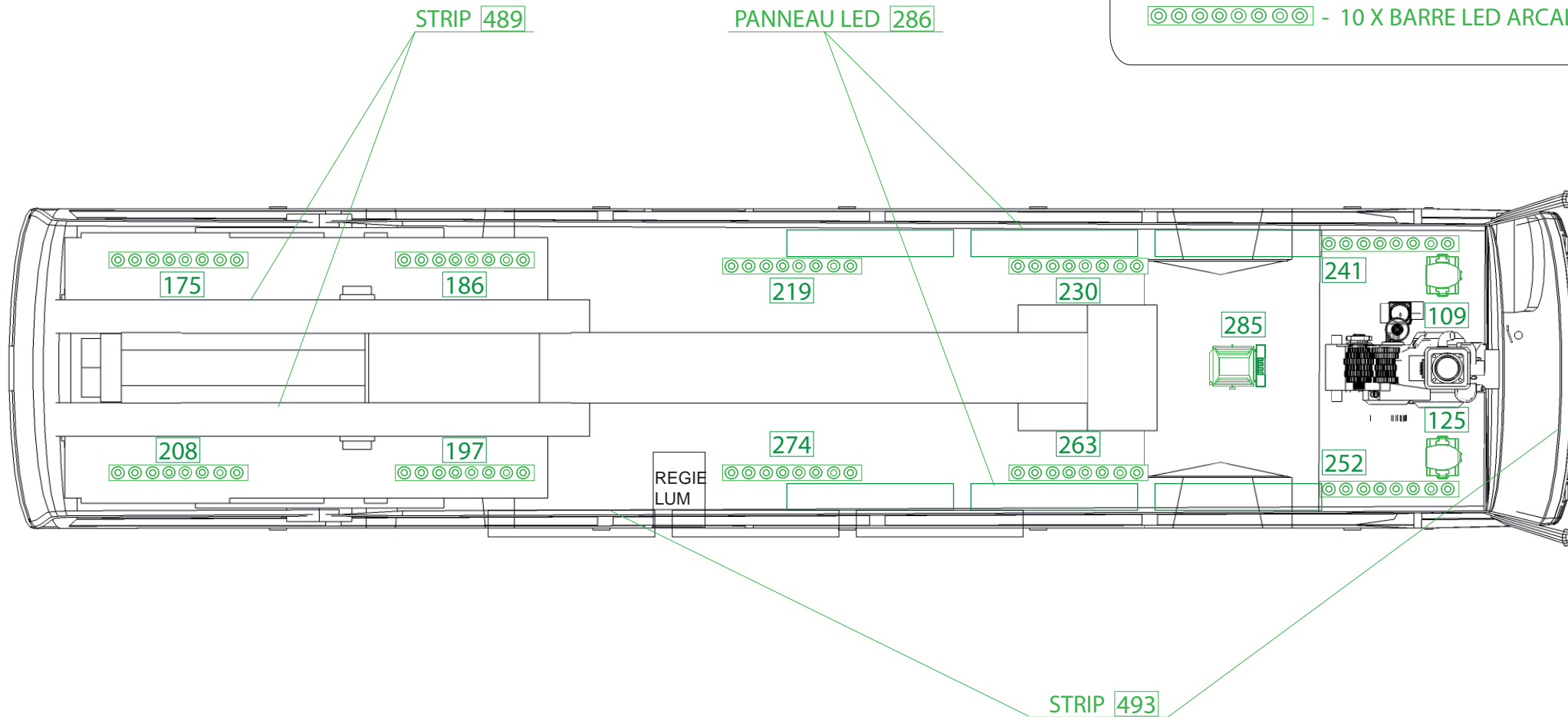
- 2 X SHARPY



- 1 X 2.5KW HMI + JALOUSIE



- 10 X BARRE LED ARCALINE



ENGIN	PROJECTEUR	QUANTITE	UNIVERS	BREAK	AFFECTATION	HF HO7	HF DUSHOW	CONTROLEUR RGB	BAT 8Ah	ALIM 12V	BAT 130Ah
BUS 4T	BARRE LED	10	B	11	175+186+197+208+219+230+241+252+263+274						
	PANNEAU LED	6	B	4	286			1			
	CASTOR 2,5 HMI	1	B	1	285						
	FOG viper	1	B	2	290						
	STRIP LED	2	B	4	489+493			2		2	
	SHARPY	2	B	16	109+125						

BALANCOIRE

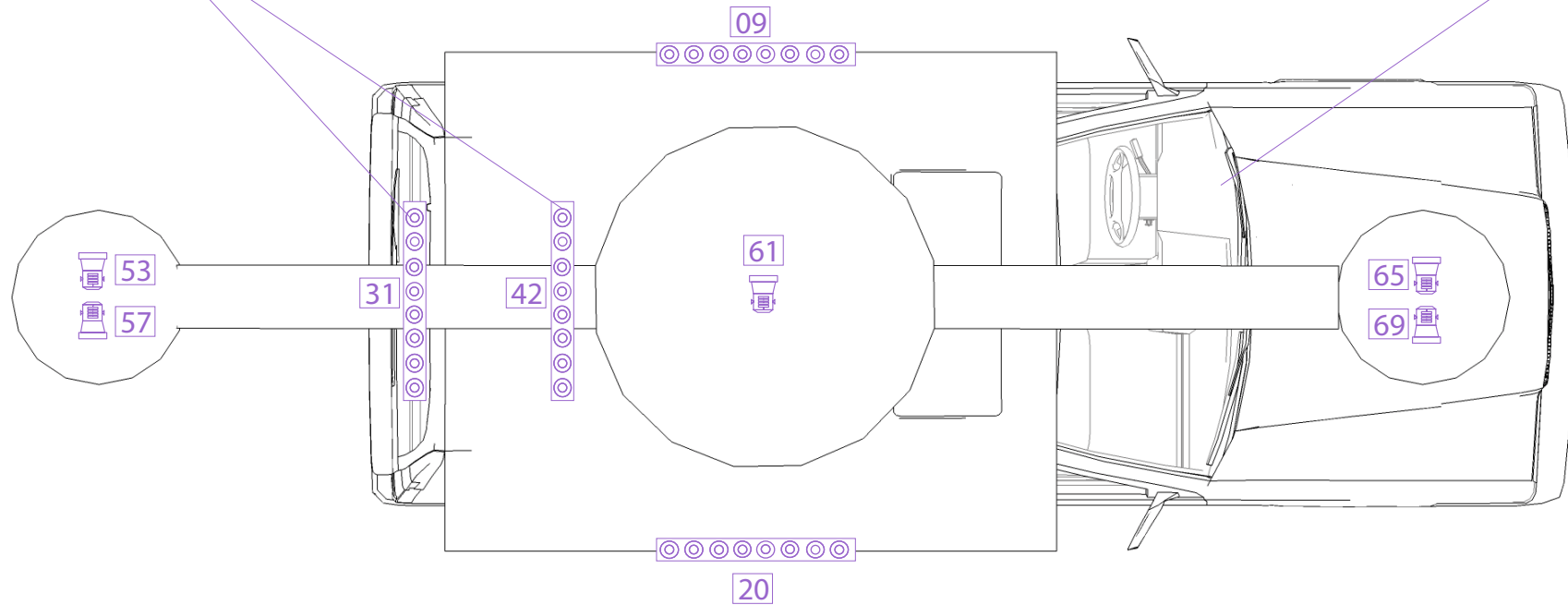
UNIVERS C - ENGIN 04

⊙⊙⊙⊙⊙⊙⊙⊙ - 4 X BARRE LED ARCALINE

🗨️ - 5 X PAR LED RGB

INTERIEUR

STRIP 73



ENGIN	PROJECTEUR	QUANTITE	UNIVERS	BREAK	AFFECTATION	HF HO7	HF DUSHOW	CONTROLEUR RGB	BAT 8Ah	ALIM 12V	BAT 130Ah
BALANCOIRE	BARRELED	4	C	11	9+20+31+42	1					
	STRIP LED	1	C	4	73			1		1	
	PAR LED RGBW	5	C	4	53+57+61+65+69	1					

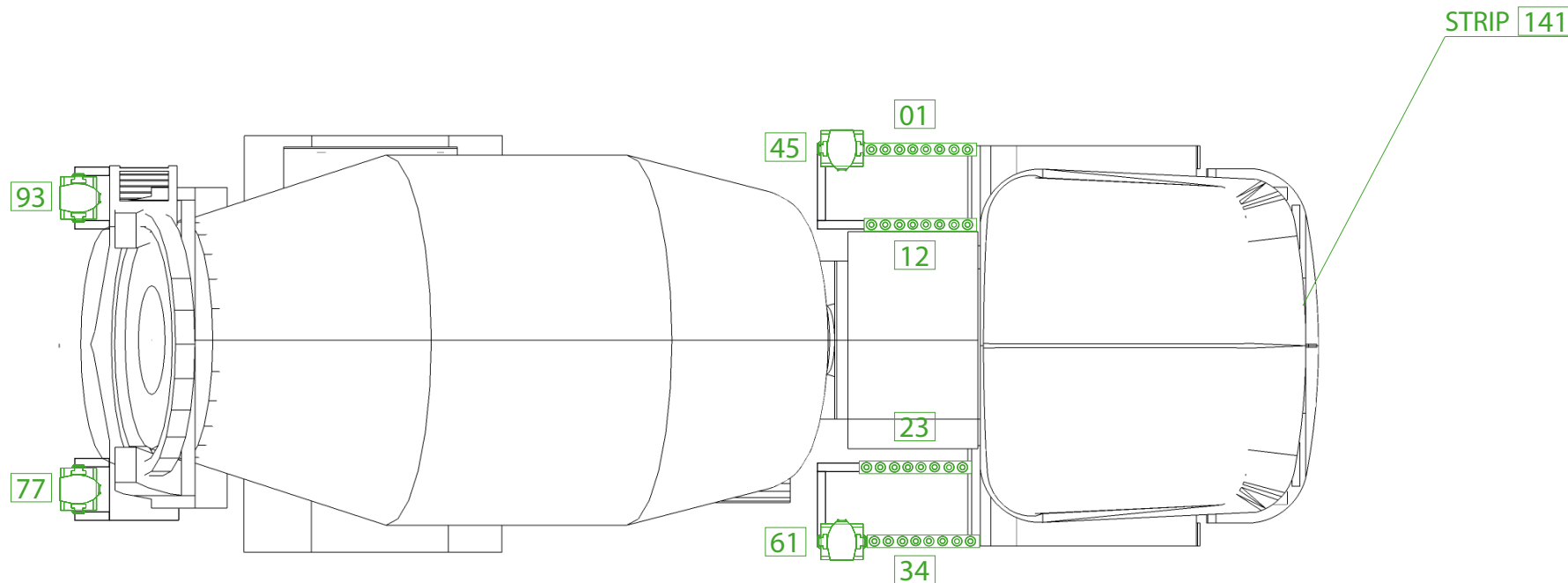
TOUPIE

UNIVERS B - ENGIN 05

 - 4 X SHARPY

 - 4 X BARRE LED ARCALINE

FOG 173



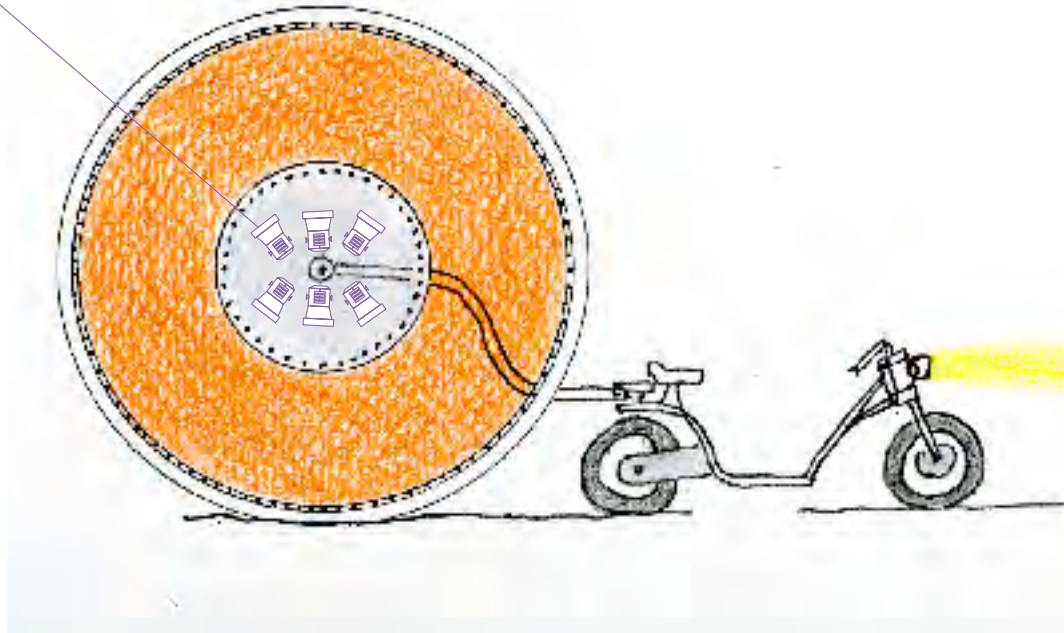
ENGIN	PROJECTEUR	QUANTITE	UNIVERS	BREAK	AFFECTATION	HF HO7	HF DUSHOW	CONTROLEUR RGE	BAT 8Ah	ALIM 12V	BAT 130Ah
TOUPIE	BARRE LED	4	B	11	1+12+23+34		1				
	SHARPY	4	B	16	45+61+77+93 (+109+125)						
	STRIP LED	1	B	4	141 (+145?)			1		1	
	FOG	1	B	2	173						

TRICYCLE

UNIVERS C - ENGIN 06

12 PARS LED RGB

77 > 110



ENGIN	PROJECTEUR	QUANTITE	UNIVERS	BREAK	AFFECTATION	HF HO7	HF DUSHOW	CONTROLEUR RGE	BAT 8Ah	ALIM 12V	BAT 130Ah
TRICYCLE	PAR LED RGB	12	C	3	77+80+83+86+89+92+95+98+101+104+107+110	1		1			1

MIRROIR

UNIVERS A - ENGIN 07

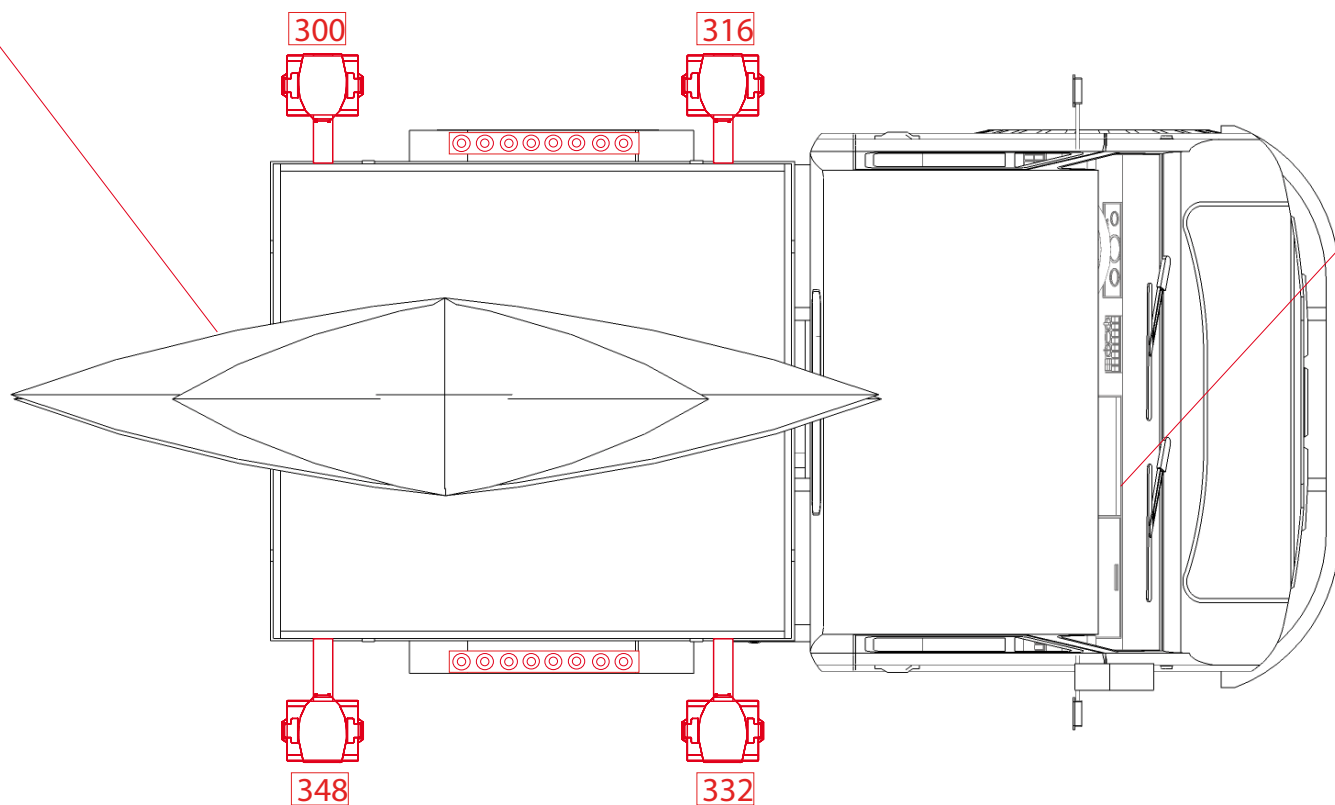


- 4 X SHARPY



- 2 X BARRE LED ARCALINE

NEONS 299



STRIP 295

ENGIN	PROJECTEUR	QUANTITE	UNIVERS	BREAK	AFFECTATION	HF HO7	HF DUSHOW	CONTROLEUR RGE	BAT 8Ah	ALIM 12V	BAT 130Ah
MIROIR	BARRE LED	2	A	11	273+284		1				
	STRIP LED	1	A	4	295			1		1	
	NEON	1	A	1	299						
	SHARPY	4	A	16	300+316+332+348						

VAN

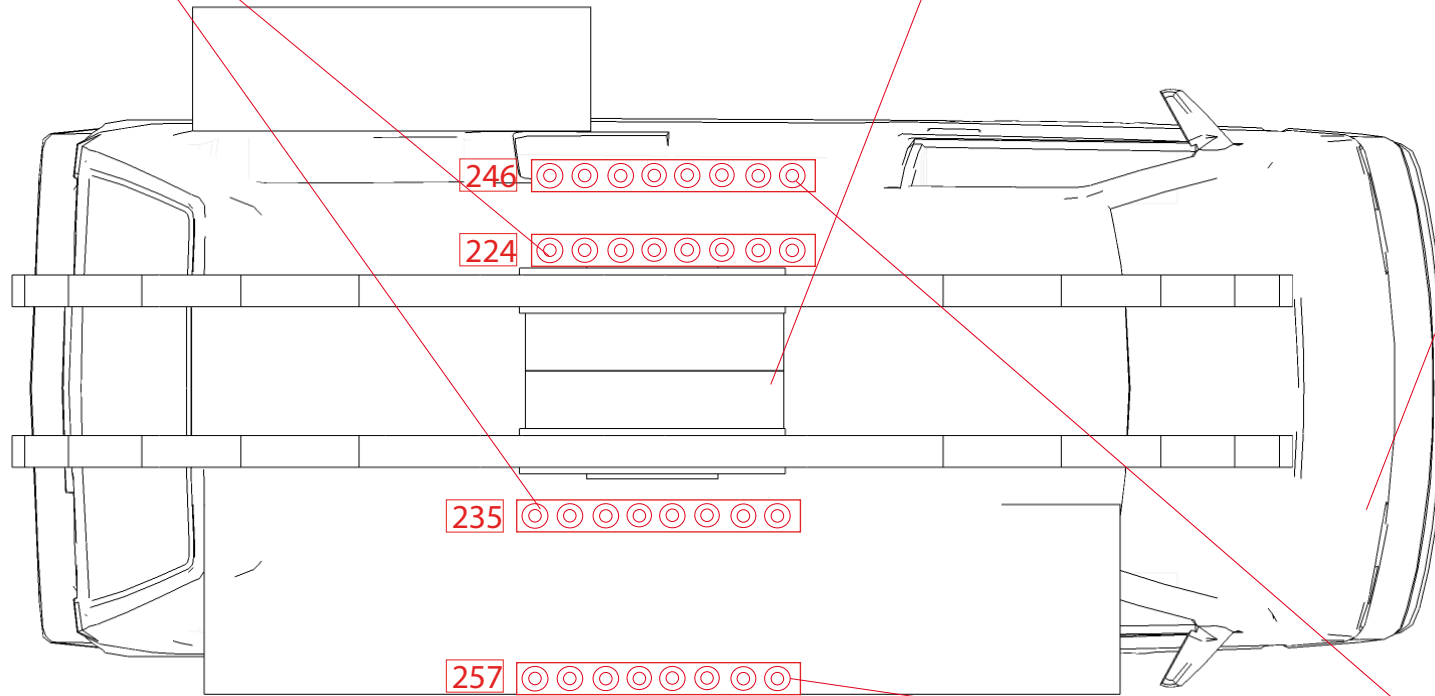
UNIVERS A - ENGIN 08

⊙⊙⊙⊙⊙⊙⊙⊙ - 04 X BARRE LED ARCALINE

INTERIEUR

ACL 272

STRIP 268

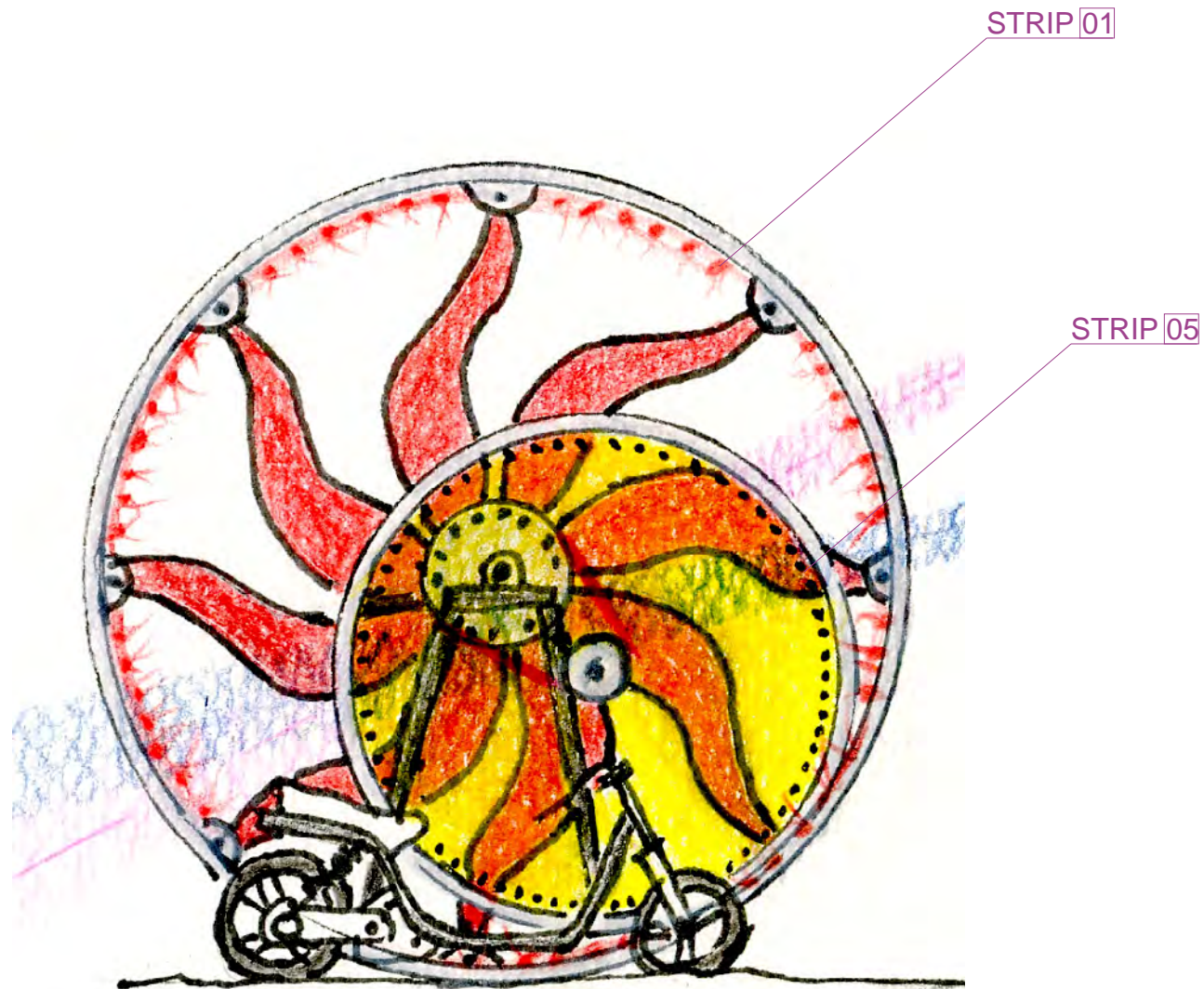


EXTERIEUR

ENGIN	PROJECTEUR		UNIVERS	BREAK	AFFECTATION	HF HO7		BAT 8Ah	ALIM 12V	BAT 130Ah
VAN	BARRE LED	4	A	11	224+235+246+257		1			
	ACL	1	A	1	272					
	STRIP LED	1	A	4	268			1	1	

SCOOTER

UNIVERS C - ENGIN 09



ENGIN	PROJECTEUR	QUANTITE	UNIVERS	BREAK	AFFECTATION	HF HO7	HF DUSHOW	CONTROLEUR RGE	BAT 8Ah	ALIM 12V	BAT 130Ah
SCOOT	STRIP LED	1	C	4	1+5	2		2	4		

BUS CAGE

UNIVERS A - ENGIN 10



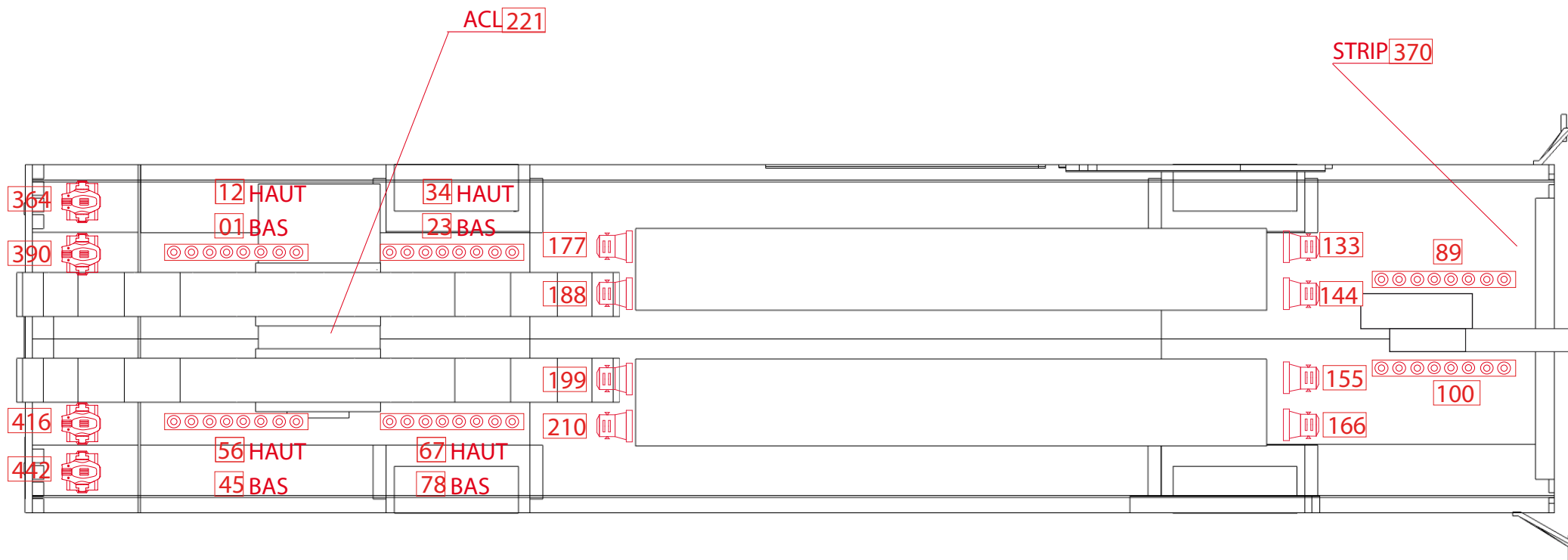
- 8 X TOUR KOLOR (PAR LED)



- 4 X ALPHA 300



- 12 X BARRE LED ARCALINE



ENGIN	PROJECTEUR	QUANTITE	UNIVERS	BREAK	AFFECTATION	HF HO7	HF DUSHOW	CONTROLEUR RGE	BAT 8Ah	ALIM 12V	BAT 130Ah
BUS CAGE	BARRE LED	12	A	11	1+12+23+34+45+56+67+78+89+100+111+122			1			
	ACL	1	A	1	221						
	TOUR KOLOR	8	A	11	133+144+155+166+177+188+199+210						
	FOG	1	A	2	222						
	ALPHA 300	4	A	26	364+390+416+442						
	STRIP LED	1	A	4	370				1	1	

PATCH / AFFECTATION

ENGINES	PROJECTEUR	QUANTITE	UNIVERS	BREAK	AFFECTATION	HF HO7	HF DUSHOW	CONTROLEUR RGB	BAT 8Ah	ALIM 12V	BAT 130Ah	CONV 12/230V	GE	CONNECTION		
BUS CAGE	BARRE LED	12	A	11	1+12+23+34+45+56+67+78+89+100+111+122		1							10Kw TSF	MARECHAL > 16A	
	ACL	1	A	1	221											
	TOUR KOLOR	8	A	11	133+144+155+166+177+188+199+210											
	FOG	1	A	2	222											
	STRIP LED	1	A	4	370			1		1						
SCOOT	STRIP LED	1	C	4	1+5	2		2	4							
VAN	BARRE LED	4	A	11	224+235+246+257		1							2,4Kw TRANS EXPRESS	1 X 16A	
	ACL	1	A	1	272											
	STRIP LED	1	A	4	268			1		1						
MIROIR	BARRE LED	2	A	11	273+284		1							2,4Kw TRANS EXPRESS	1 X 16A	
	STRIP LED	1	A	4	295			1		1						
	NEON	1	A	1	299											
	SHARPY	4	A	16	300+316+332+348											
TOUPIE	BARRE LED	4	B	11	1+12+23+34		1							5Kw LP	2 x 16A	
	SHARPY	6	B	16	45+61+77+93											
	STRIP LED	1	B	4	141+145			1		1						
	FOG	1	B	2	173											
BALANCOIRE	BARRELED	4	C	11	9+20+31+42	1								2Kw TSF	1 X 16A	
	STRIP LED	1	C	4	73			1		1						
	PAR LED RGBW	5	C	4	53+57+61+65+69	1										
BUS 4T	BARRE LED	10	B	11	175+186+197+208+219+230+241+252+263+274									5Kw GENERIK	2 X 16A	
	PANNEAU LED	6	B	4	286			1								
	CASTOR 2,5 HMI	1	B	1	285											
	FOG viper	1	B	2	290											
	STRIP LED	1	B	4	489			1		1						
	SHARPY	2	B	16	109+125											
POMPIER	BARRE LED	10	B	11	292+303+314+325+336+347+358+369+380+391		1							5Kw GENERIK	2 X 16A	
	TOUR KOLOR	4	B	11	402+413+424+435											
	FOG	1	B	2	459											
	GYROPHARE	12	B	6	446+453											
	STRIP LED	1	B	4	461			1		1						
	ALPHA BEAM	1	B	24	465											
TRICYCLE	STRIP LED	1	C	4	113 OUT											
	PAR LED RGB	12	C	3	77+80+83+86+89+92+95+98+101+104+107+110	1		1			1	2				
SIDE	STRIP LED	1	C	4	117 OUT									2,4Kw TRANS EXPRESS	1 X 16A	
	PAR LED RGB	2	C	3	121+124	1		1								

TOTAUX	6	5	12	4	7	1	2
DISPO	12	6	12	14	7	2	2